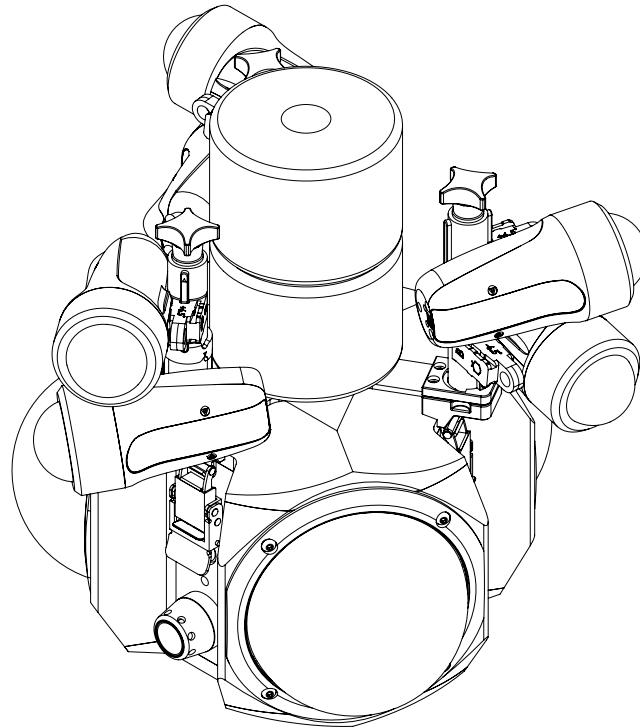




Lighting Rig | Quick Start Guide



Setup

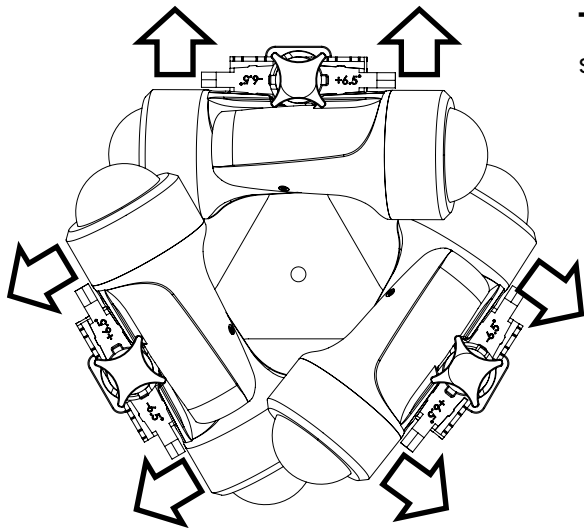
1. Place the lighting rig on a flat surface.
2. Apply silicone grease to the charge ports on each camera.
3. Unscrew the thumb wheels by two full turns or 3-4mm and rotate the lights into position (see over page).
4. Tighten the thumb wheels back down finger tight.
5. Place the rig onto the Boxfish 360 with light arms in gap between domes (see image).
6. Secure in place with the Boxfish float package.
7. Reverse these steps to pack back into the carry case.

Charging

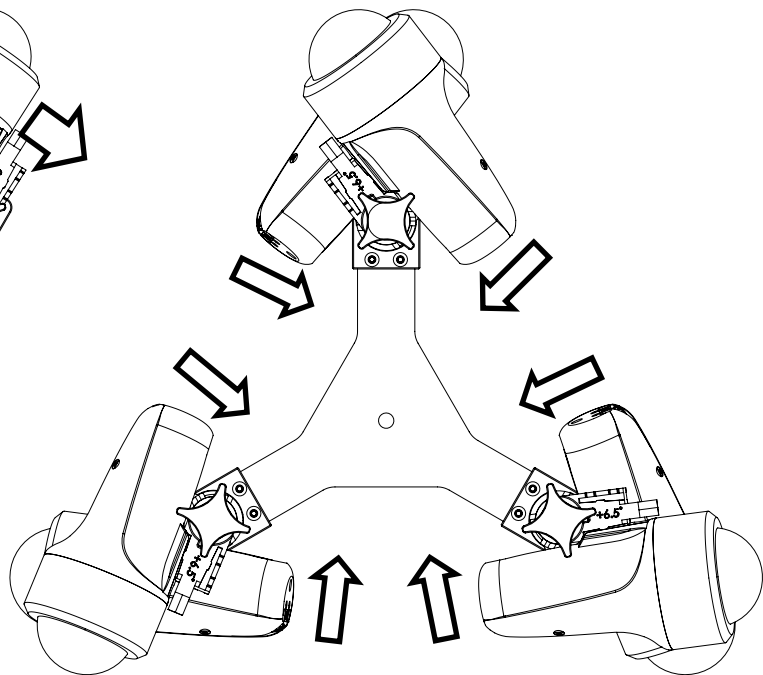
Connect the six way charger to each of the lights. For further information, see the included owner's manual.

Flotation

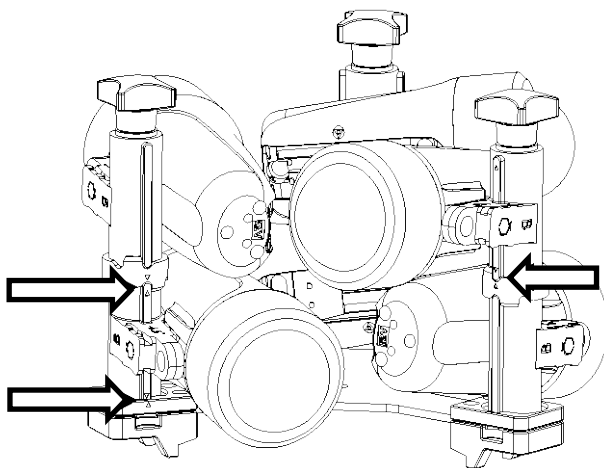
For additional flotation, a second Boxfish float package can be added to the bottom of the Boxfish 360. Alternatively, a second float package can be split into two and attached to the top of the first one by unscrewing the two halves.



To Open: Turn each pair of lights out as shown until they reach their detent positions.



To Close: Turn each pair of lights in as shown.



Boxfish 360 Lighting Rig Reassembly

Note the small triangle's indicating the correct alignment of the lighting brackets when in the closed position.

To attach each light to the brackets, align A on the bracket with the light mount. Install on the threaded rod with -6.5° facing up for the bottom bracket and $+6.5^\circ$ up for the top bracket to get the light alignment correct.

Package Contents:

1. Boxfish 360 lighting rig.
2. 180W power supply with custom charge cable.
3. Power cord.
4. Boxfish float.
5. Silicone grease for charge contact protection.
6. Nanuk 925 hardcase with custom foam.